

Side-mount sand filters in fiberglass and polyester resin

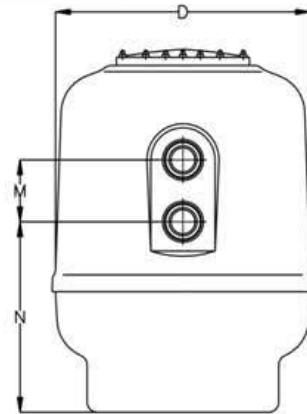
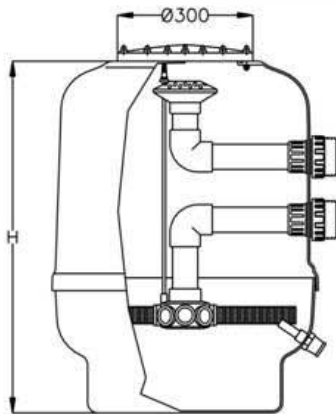
- The finest quality in sand filters: designed and engineered using the latest European technology and machineries.
- Manufactured in laminated polyester resin reinforced with fiberglass with a unique polished finish.
- Extensive range of diameters that meets the need of the filtration in public and private swimming pools as well as in spas.
- 6-position multiport valve that easily controls the operation and maintenance of the filter.
- The filtration sand with 0.4~0.8mm granulometry guarantees a perfect filtration for years.
- Fitted with corrosion-proof collectors and diffuser that enhance the capacity of filtration.



6-Position Multiport Valve



Easy to read Pressure Gauge



CODE	03010101	03010102	03010103	03010104
(mm) Diameter	Ø 500	Ø 650	Ø 800	Ø 950
(mm) H	700	770	820	890
M (mm)	125	125	230	230
N (mm)	330	410	380	400
(inches) Connections	1 ½"	1 ½"	2"	2"
(m ³ /h) Flow	9	15	24	35
(m ³) Pool	65-75	75-125	125-200	200-280
(kg) Sand	85	150	330	460
(bar) Max. work pressure	2,5	2,5	2,5	2,5
(kg) Net weight	21	23	34	48
(m ³) Volume	0,26	0,36	0,75	1,06
Pump Asiatic Max	½ HP	1 HP	2 HP	3 HP